

DS1



AREASCAN™ DETECTION AND MEASUREMENT LIGHT GRIDS WITH ANALOG OUTPUT

- 4 mm resolution and 1 ms response time
- 100 to 300 mm controlled height
- Operating distance up to 4 m
- PNP digital and 0-10 V analog outputs
- Adjustment trimmer

APPLICATIONS

- Processing and Packaging machinery
- Food, Cosmetic, Pharmaceutical
- Electronics and mechanical assembling
- Conveyor lines and sorting systems

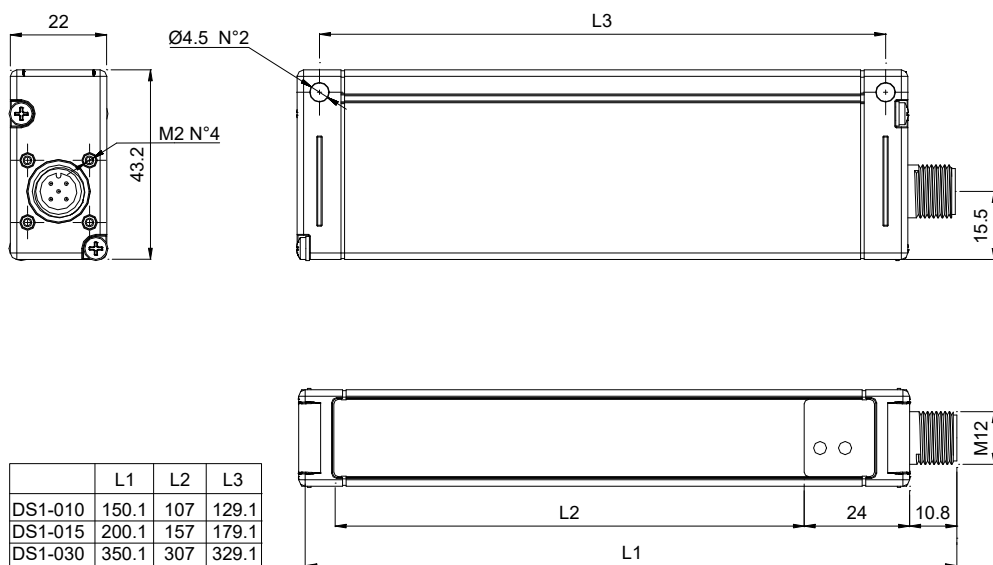


DS1	
Light array (controlled height)	100...300 mm
Resolution	4...7 mm
Number of beams	16...48
Light emission	IR LED
Response time	1...2,75 ms
Setting	Trimmer
Operating distance	0,15...0,8 m (SD)
	0,15...2,1 m (LD)
	0,2...4 m (HD)
Power supply	Vdc
	Vac
	Vac/dc
Output	PNP
	NPN
	NPN/PNP
	relay
	other
Connection	cable
	connector
	pig-tail
Approximate dimensions (mm)	22x43x(150/350)
Housing material	aluminium
Mechanical protection	IP65

TECHNICAL DATA

Power supply	24 Vdc ± 15%
Consumption on emitter unit (TX)	150 mA max.
Consumption on receiver unit (RX)	50 mA max. load excluded
Light emission	IR LED 880 nm
Setting	adjustment trimmer (mod. DS1...PV)
Indicators	yellow OUTPUT LED green POWER ON LED
Output	PNP; analog output
Output current	100 mA max.
Saturation voltage	1,5 V max.
Response time	1 - 2,75 ms
Connection	M12 4-pole connector (TX), M12 5-pole connector (RX)
Dielectric strength	500 Vac, 1 min between electronics and housing
Insulating resistance	>20 MΩ, 500 Vdc between electronics and housing
Mechanical protection	IP65 (EN 60529)
Vibrations	0,5 mm amplitude, 10 ... 55 Hz frequency, for every axis (EN60068-2-6)
Shock resistance	11 ms (30 G) 6 shock for every axis (EN60068-2-27)
Housing material	black electro-painted aluminium
Lens material	PMMA
Operating temperature	0 ... 50 °C
Storage temperature	-25 ... 70 °C
Weight	300 g (mod. DS1...010) 400 g (mod. DS1...015) 600 g (mod. DS1...030)

DIMENSIONS

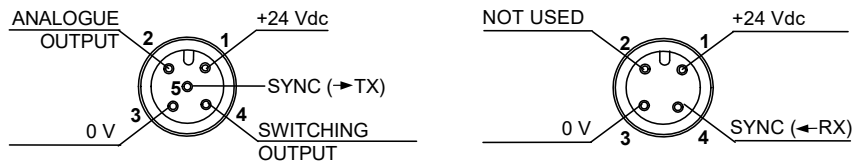


INDICATORS AND SETTINGS (TRIMMER VERSION)



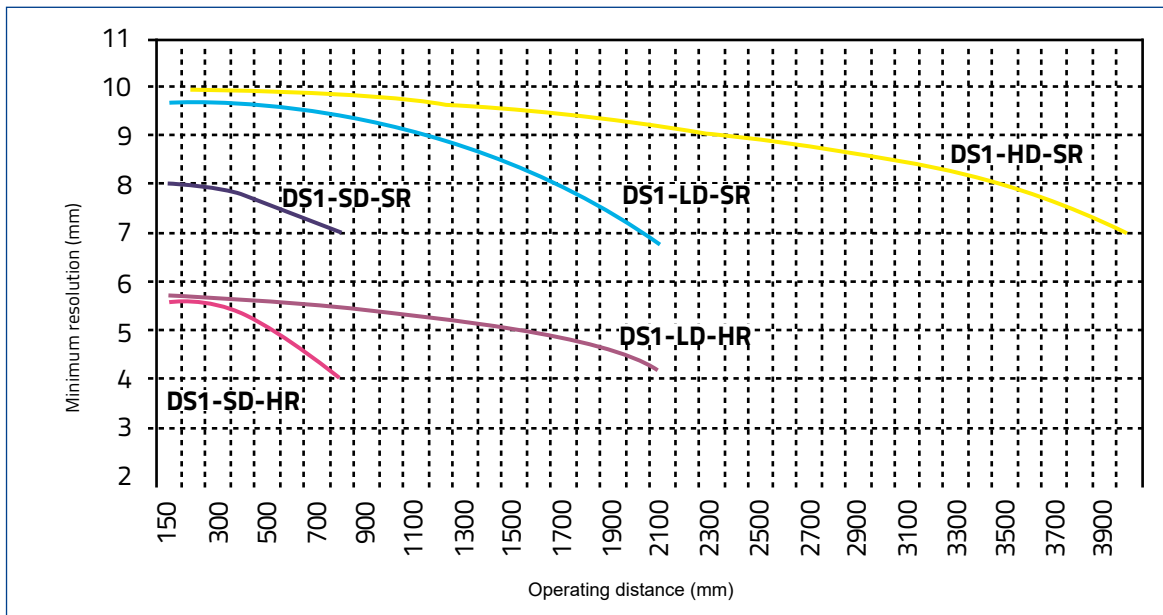
CONNECTIONS

M12 CONNECTOR



RECEIVER (RX): M12 5-pole connector	1 – brown:	+24 Vdc	EMITTER (TX): M12 4-pole connector	1 – brown:	+24 Vdc
	2 – white:	Analogue output		2 – white:	Not used
	3 – blue:	0 V		3 – blue:	0 V
	4 – black:	Switching output		4 – black:	SYNC
	5 – grey:	SYNC			

DETECTION DIAGRAMS



Variation of the minimum resolution according to the operating distance between the emitting and receiving units.

MODEL SELECTION AND ORDER INFORMATION

OPTIC FUNCTION	OPERATING DISTANCE	SETTING	CONTROLLED HEIGHT & RESOLUTION	MODEL	ORDER NO
Measurement light curtain	0,8 m	n/a	100 mm (res.: 7 mm)	DS1-SD-SR-010-JV	957701170
			100 mm (res.: 4 mm)	DS1-SD-HR-010-JV	957701200
			150 mm (res.: 7 mm)	DS1-SD-SR-015-JV	957701180
			150 mm (res.: 4 mm)	DS1-SD-HR-015-JV	957701210
	300 mm (res.: 7 mm)		DS1-SD-SR-030-JV	957701190	
	2 m		100 mm (res.: 7 mm)	DS1-LD-SR-010-JV	957701130
			100 mm (res.: 4 mm)	DS1-LD-HR-010-JV	957701120
			150 mm (res.: 7 mm)	DS1-LD-SR-015-JV	957701150
		150 mm (res.: 4 mm)	DS1-LD-HR-015-JV	957701140	
	Adjustment trimmer	300 mm (res.: 7 mm)	DS1-LD-SR-030-JV	957701160	
		100 mm (res.: 7 mm)	DS1-LD-SR-010-PV	957701250	
		150 mm (res.: 7 mm)	DS1-LD-SR-015-PV	957701260	
	4 m	n/a	300 mm (res.: 7 mm)	DS1-LD-SR-030-PV	957701270
			100 mm (res.: 7 mm)	DS1-HD-SR-010-JV	957701220
			150 mm (res.: 7 mm)	DS1-HD-SR-015-JV	957701230
300 mm (res.: 7 mm)			DS1-HD-SR-030-JV	957701240	

CABLES

TYPE	DESCRIPTION	LENGTH	MODEL	ORDER No.
Axial M12 Connector	4-pole, grey, P.V.C.	3 m	CS-A1-02-G-03	95A251380
		5 m	CS-A1-02-G-05	95A251270
		10 m	CS-A1-02-G-10	95A251390
	4-pole, U.L., black, P.V.C.	3 m	CS-A1-02-U-03	95ASE1120
		5 m	CS-A1-02-U-05	95ASE1130
		10 m	CS-A1-02-U-10	95ASE1140
		15 m	CS-A1-02-U-15	95ASE1150
		25 m	CS-A1-02-U-25	95ASE1160
	5-pole, grey, P.V.C.	3 m	CS-A1-03-G-03	95ACC2110
		5 m	CS-A1-03-G-05	95ACC2120
		10 m	CS-A1-03-G-10	95ACC2140
	5-pole, U.L., black, P.V.C	3 m	CS-A1-03-U-03	95ASE1170
		5 m	CS-A1-03-U-05	95ASE1180
		10 m	CS-A1-03-U-10	95ASE1190
		15 m	CS-A1-03-U-15	95ASE1200
		25 m	CS-A1-03-U-25	95ASE1210
		50 m	CS-A1-03-U-50	95A252700