



DX6400

QUICK REFERENCE GUIDE



CONTENTS

DX6400-100-010 MASTER/SLAVE MODEL	1
DX6400-100-012 ETHERNET MODEL	9
COMMON FEATURES	15



NOTE

For further details on product installation, see the complete Reference Manual available on the configuration CD-ROM included with this product.

SERVICES AND SUPPORT

Datalogic provides several services as well as technical support through its website. Log on to www.automation.datalogic.com and click on the [links](#) indicated for further information including:

- **PRODUCTS**

Search through the links to arrive at your product page where you can download specific **Manuals** and **Software & Utilities** including:

- **Genius™** a utility program, which allows device configuration using a PC. It provides RS232 interface configuration.

- **SERVICES & SUPPORT**

- **Datalogic Services** - Warranty Extensions and Maintenance Agreements
- **Authorised Repair Centres**

- **CONTACT US**

E-mail form and listing of Datalogic Subsidiaries

DX6400-100-010 MASTER/SLAVE MODEL



Figure A

① Laser Beam Output Window



Figure B

- ① Programming Keypad
- ② TX Data LED (Green)
- ③ Phase On LED (Yellow)
- ④ Power On LED (Red)
- ⑤ LCD Display



Figure C

- ① Main/Aux. Interface 25-pin D-sub Male Connector
- ② Lonworks 9-pin Male Connector
- ③ Lonworks 9-pin Female Connector

Available Models:

DX6400 - 100 - 0XX

↳ **Decoder Model**
 10 = Master/Slave
 12 = Ethernet

Technical Features:

ELECTRICAL FEATURES		
Supply voltage	15 to 30 Vdc	
Power consumption	18 W typical 24 W Max. (including startup current)	
Communication Interfaces	Main (isolated)	
	RS232	1200 to 115200
	RS485 full-duplex	1200 to 115200
	RS485 half-duplex	1200 to 115200
	20 mA Current Loop (INT-30 with C-BOX 100 only)	19200
	Auxiliary	
RS232	1200 to 115200	
Other		
Lonworks	1.25 Mb/s	
Inputs		
External Trigger 1, 3 auxiliary digital inputs	(optocoupled NPN or PNP)	
Outputs		
3 software programmable digital outputs	(optocoupled)	

OPTICAL FEATURES	
Light receiver	Avalanche photodiode
Wavelength	630 to 680 nm
Safety class	Class 2 - EN60825-1; Class II - CDRH
Light source	Up to 2 semiconductor laser diodes
Laser control	Security system to turn laser off in case of motor slow down
READING FEATURES	
Scan rate	up to 1500 scans/s (750 per leg)
Maximum resolution	(see reading diagram)
Max. reading distance	
Max. reading width	
Max. depth of field	
USER INTERFACE	
LCD Display	2 lines by 16 characters LCD
Keypad	3 keys
LED indicators	Power ON (red) Phase ON (yellow) TX data (green)
SOFTWARE FEATURES	
Readable Codes	Interleaved 2/5 Code 39 Standard Codabar Code 128 EAN128 Code 93 (standard and full ASCII) EAN/UPC EAN/UPC (including Add-on 2 and Add-on 5)
Code selection	Up to 10 codes during one reading phase
Headers and Terminators	Transmitted messages can be personalized using up to 128-byte headers and 128-byte terminators
Operating modes	On Line Automatic Test PackTrack
Configuration modes	Genius™ utility program
Parameter storage	Non-volatile internal FLASH
ENVIRONMENTAL FEATURES	
Operating temperature	0° to +40 °C (+32° to +104 °F)
Storage temperature	-20° to +70 °C (-4° to +158 °F)
Humidity	90% non condensing
Ambient light immunity	10000 lux
Vibration resistance	14 mm @ 2 to 10 Hz
IEC 68-2-6 test FC	1.5 mm @ 13 to 55 Hz
2 hours on each axis	2 g @ 70 to 200 Hz
Shock resistance	30 g; 11 ms
IEC 68-2-27 test EA	
3 shocks on each axis	
Protection class	IP64
PHYSICAL FEATURES	
Mechanical dimensions	225.9 x 149.8 x 116.8 mm (8.89 x 5.90 x 4.60 in)
Weight	2.1 kg. (4.62 lbs)

Accessories:

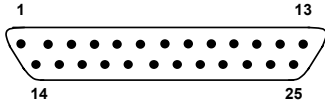
Name	Description	Part Number
BTK-6000	Bus terminator kit (5 pcs)	93ACC1710
CAB-6001	25-pin scanner to C-BOX100 cable 1 m	93A051190
CAB-6002	25-pin scanner to C-BOX100 cable 2 m	93A051200
CAB-6005	25-pin scanner to C-BOX100 cable 5 m	93A051210
CAB-6010	25-pin scanner to C-BOX100 cable 10 m	93A051271
CAB-6011	26-pin scanner to C-BOX100 cable 1 m (Ethernet version)	93A051221
CAB-6012	26-pin scanner to C-BOX100 cable 2 m (Ethernet version)	93A051222
CAB-6015	26-pin scanner to C-BOX100 cable 5 m (Ethernet version)	93A051223
CAB-6101	9-pin scanner/scanner connection cable 1 m	93A051220
CAB-6102	9-pin scanner/scanner connection cable 2 m	93A051230
CAB-6105	9-pin scanner/scanner connection cable 5 m	93A051240
CAB-6112	9-pin scanner to scanner no power cable 2 m	93A051224
CAB-6115	9-pin scanner to scanner no power cable 5 m	93A051225
CAB-6305	25-pin power cable Fam 6k 5 m	93ACC1768
CAB-6310	25-pin power cable Fam 6k 10 m	93ACC1752
CAB-6502	Fam 6K-8K cross cable 2.5 m	93A051288
CAB-6505	Fam 6K-8K cross cable 5 m	93A051289
C-BOX 100	Passive connection box	93ACC1510
C-BOX 300	Profibus-DP connection box	93A301000
C-BOX 310	Profibus-DP connection box with display	93A301030
C-BOX 400	Devicenet connection box	93A301010
C-BOX 410	Devicenet connection box with display	93A301040
FBK-6000	Fast bracket kit (2 pcs)	93ACC1721
INT-30	20 m.A. C.L. interface board for C-BOX 100	93A151022
PH-1	Photocell kit – PNP	93ACC1791
MEP-543	Photocell kit - NPN	93ACC1728
PG6002	Single unit power supply (US)	93ACC1718
PG6001	Single unit power supply (UK)	93ACC1719
PG6000	Single unit power supply (EU)	93ACC1720
PWR-120	J-box power unit 110/230 VAC 24 V 120 W	93ACC1530
PWR-240	J-box power unit 110/230 VAC 24 V 240 W	93ACC1070
PWR-480	J-box power unit 110/230 VAC 24 V 480 W	93ACC1080
OEK-2	Optical encoder (10 m cable + spring)	93ACC1770
OEK-1	Optical encoder kit + 10 m	93ACC1600

Electrical Connections:

The DX6400 reader provides a 25-pin male D-sub connector for connection to power supply, Host interface (Main and Aux), and input/output signals.

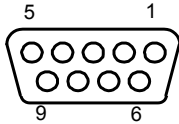
Two 9-pin connectors provide access to the scanner's local Lonworks network used for both input and output connections to build a multi-sided or omni-station system.

The details of the connector pins are indicated in the following table:

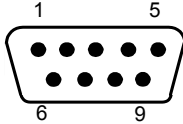
25-pin D-Sub Connector Pinout						
Pin	Name	Function				
1	CHASSIS	Chassis - internally connected to GND Cable shield connected to chassis	 <p>25-pin male D-sub Connector</p>			
20	RXAUX	Receive data of auxiliary RS232 (referred to GND)				
21	TXAUX	Transmit data of auxiliary RS232 (referred to GND)				
8	OUT 1+	Configurable digital output 1 – positive pin				
22	OUT 1-	Configurable digital output 1 – negative pin				
11	OUT 2+	Configurable digital output 2 – positive pin				
12	OUT 2-	Configurable digital output 2 – negative pin				
16	OUT 3A	Configurable digital output 3 – polarity insensitive				
17	OUT 3B	Configurable digital output 3 – polarity insensitive				
18	EXT_TRIG/PS A	External trigger (polarity insensitive) for PS				
19	EXT_TRIG/PS B	External trigger (polarity insensitive) for PS				
6	IN2/ENC A	Input signal 2 (polarity insensitive) for Encoder				
10	IN2/ENC B	Input signal 2 (polarity insensitive) for Encoder				
14	IN3A	Input signal 3 (polarity insensitive)				
15	IN4A	Input signal 4 (polarity insensitive)				
24	IN_REF	Common reference of IN3 and IN4 (polarity insensitive)				
9, 13	VS	Supply voltage – positive pin				
23, 25	GND	Supply voltage – negative pin				
Pin	RS232	RS485 Full-Duplex			RS485 Half-Duplex	20 mA C.L. (INT-30 with C-BOX 100 only)
2	TX	TX485+			RTX485+	see INT-30 instructions
3	RX	* RX485+				
4	RTS	TX485-			RTX485-	
5	CTS	* RX485-				
7	GND_ISO	GND_ISO			GND_ISO	

* Do not leave floating, see Reference Manual for connection details.

9-pin Lonworks Connector Pinout		
Pin	Name	Function
1	CHASSIS	Cable shield internally connected by capacitor to chassis
9	VS	Supply voltage – positive pin
2	GND	Supply voltage – negative pin
6	VS_I/O	Supply voltage of I/O circuit
3	Ref_I/O	Reference voltage of I/O circuit
4	SYS_ENC_I/O	System signal
5	SYS_I/O	System signal
7	LON A	Lonworks line (polarity insensitive)
8	LON B	Lonworks line (polarity insensitive)



Female

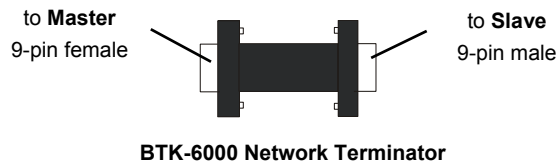


Male

9-pin Local Lonworks Connectors

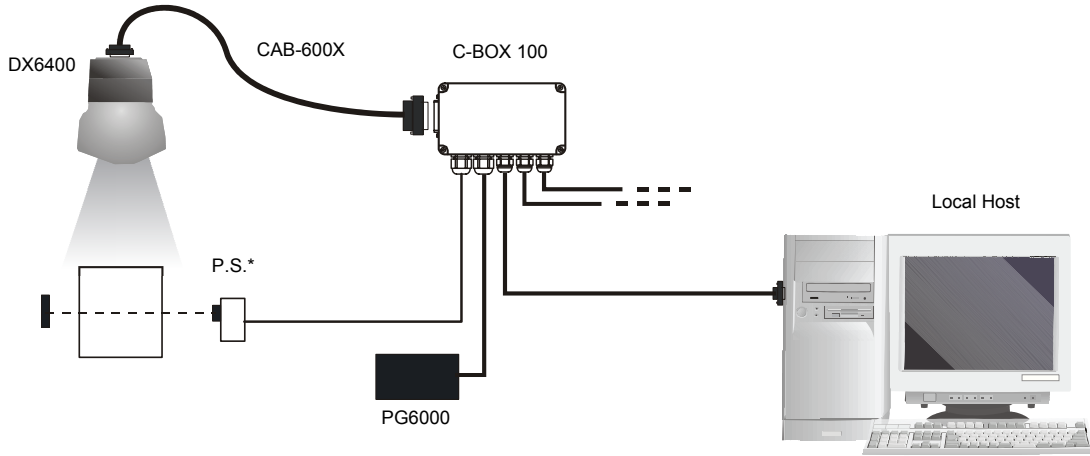
Network Termination:

When building a local Lonworks system the network must be properly terminated by positioning a BTK-6000 terminator on the DX6400 master reader (BTK-6000 female side) and on the last slave reader (BTK-6000 male side).



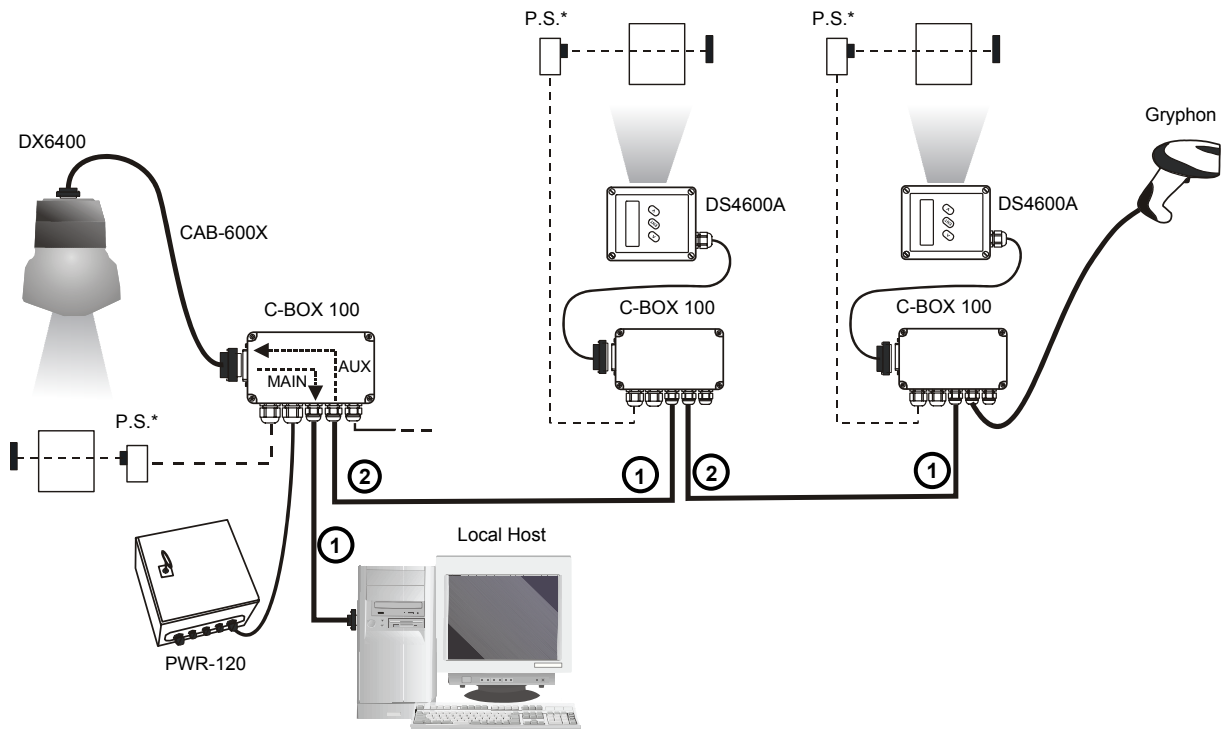
Connectivity:

Point-to-Point Layout



* P.S. (Presence Sensor) connected to External Trigger/PS input.

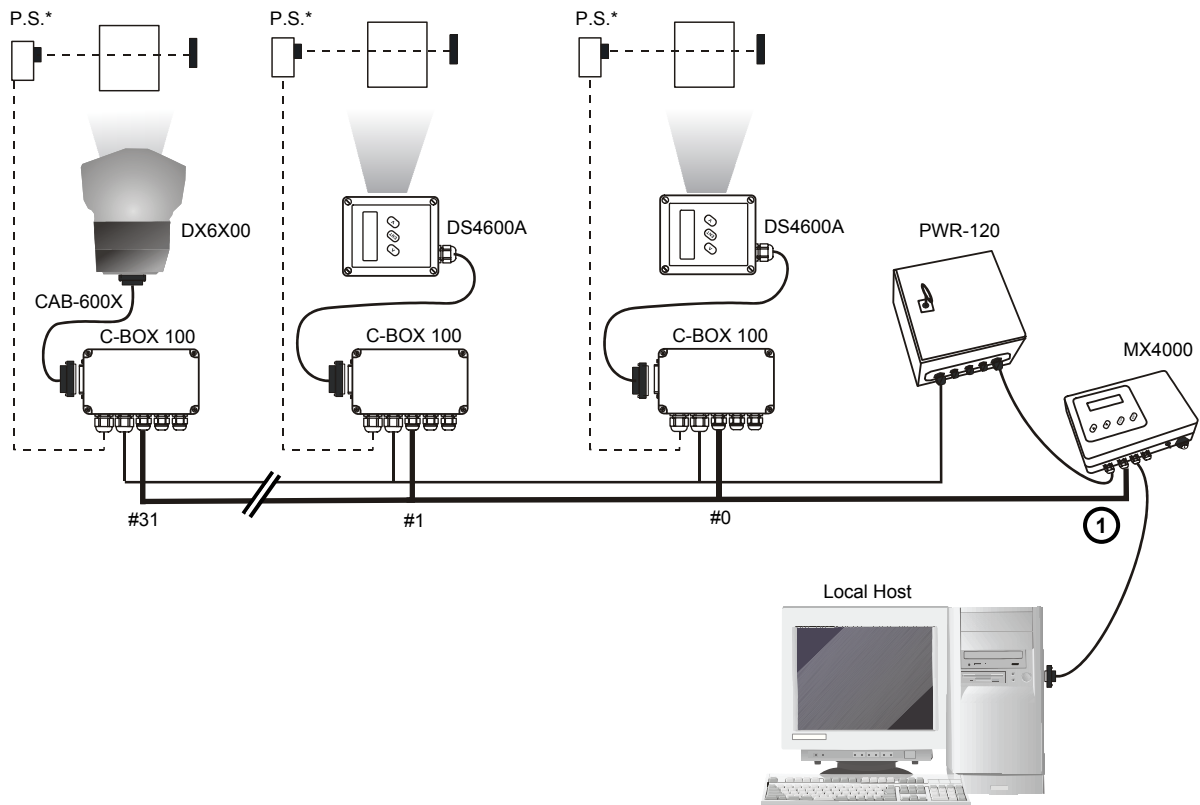
Pass Through Layout



- ① Main Serial Interface
- ② Auxiliary Serial Interface

* P.S. (Presence Sensor) connected to External Trigger/PS input.

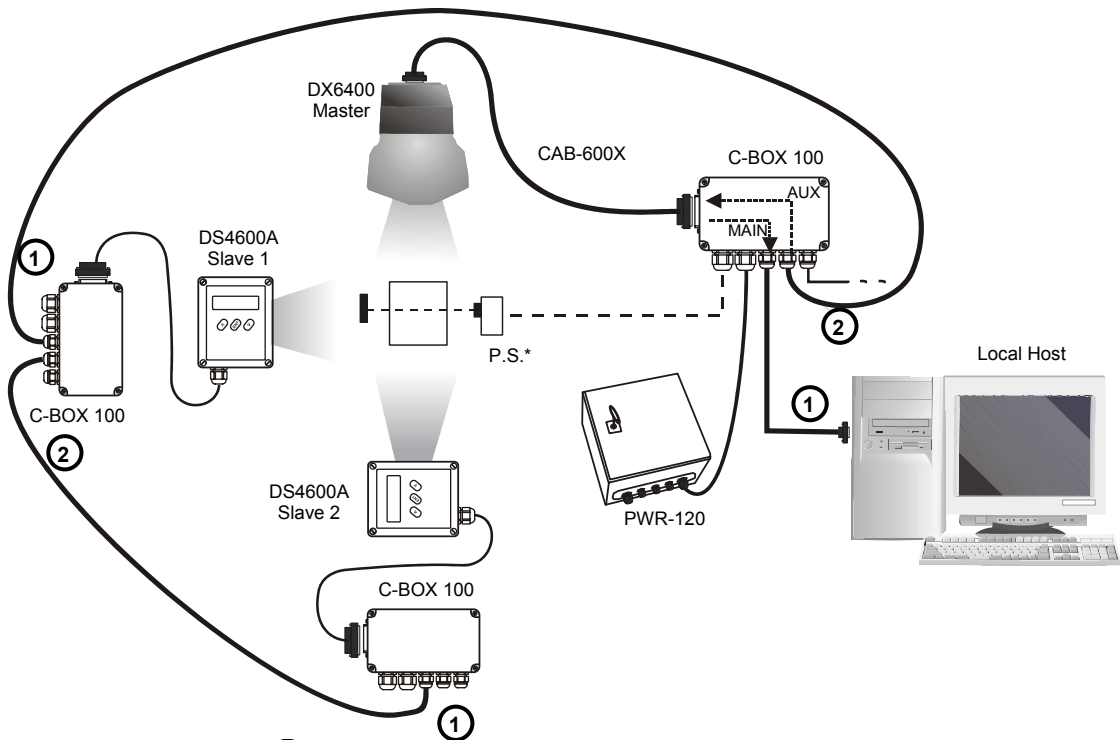
Multiplexer Layout



① RS485 HD Main Interface

* P.S. (Presence Sensor) connected to External Trigger/PS input.

RS232 Master/Slave Layout

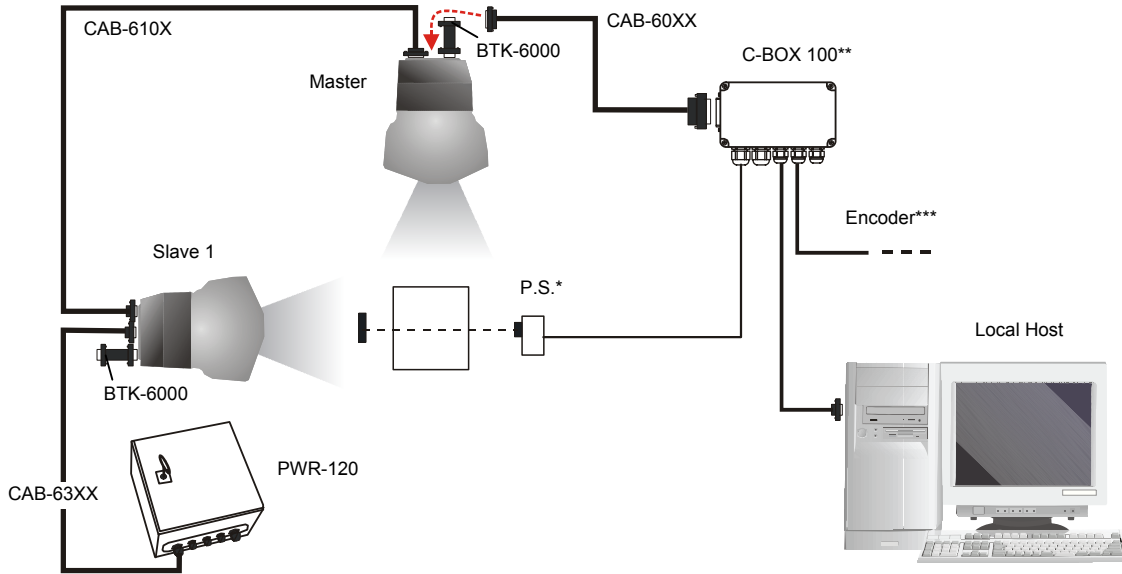


① Main Serial Interface

② Auxiliary Serial Interface

* P.S. (Presence Sensor) connected to External Trigger/PS input.

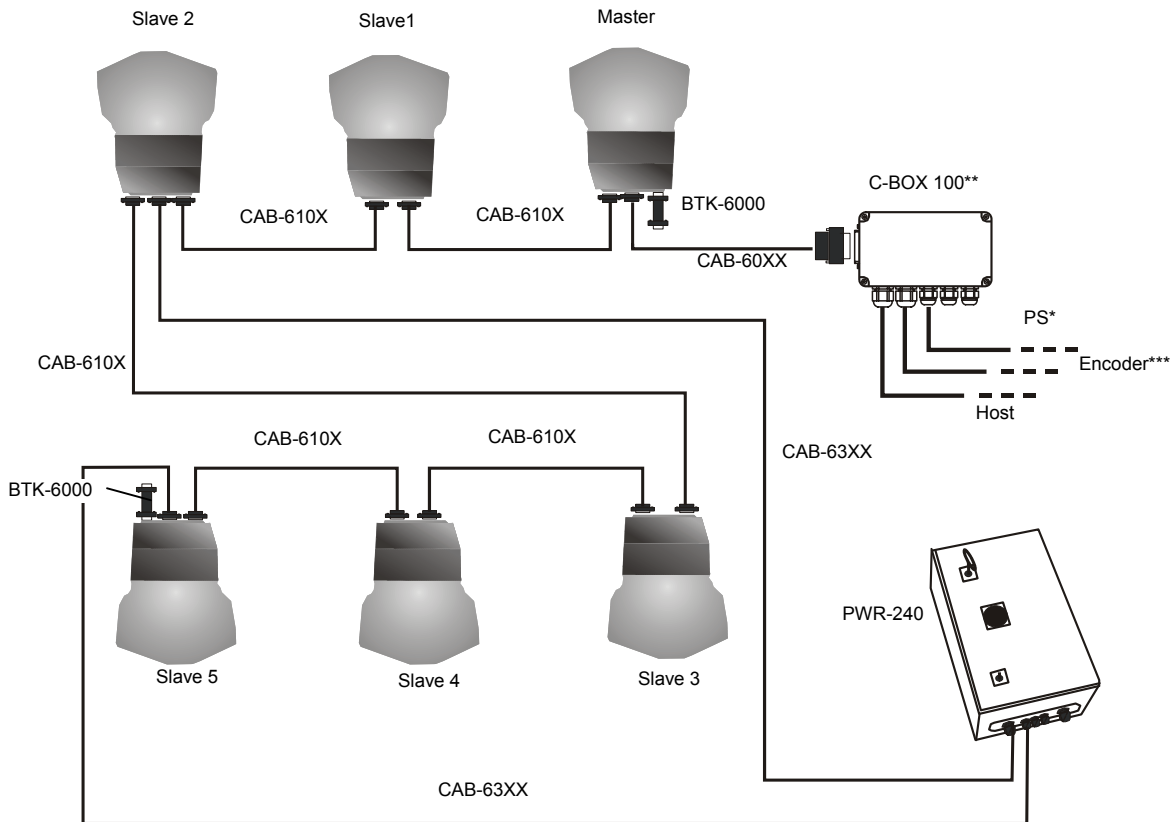
Local Lonworks Network



Small Synchronized Network with 2 readers

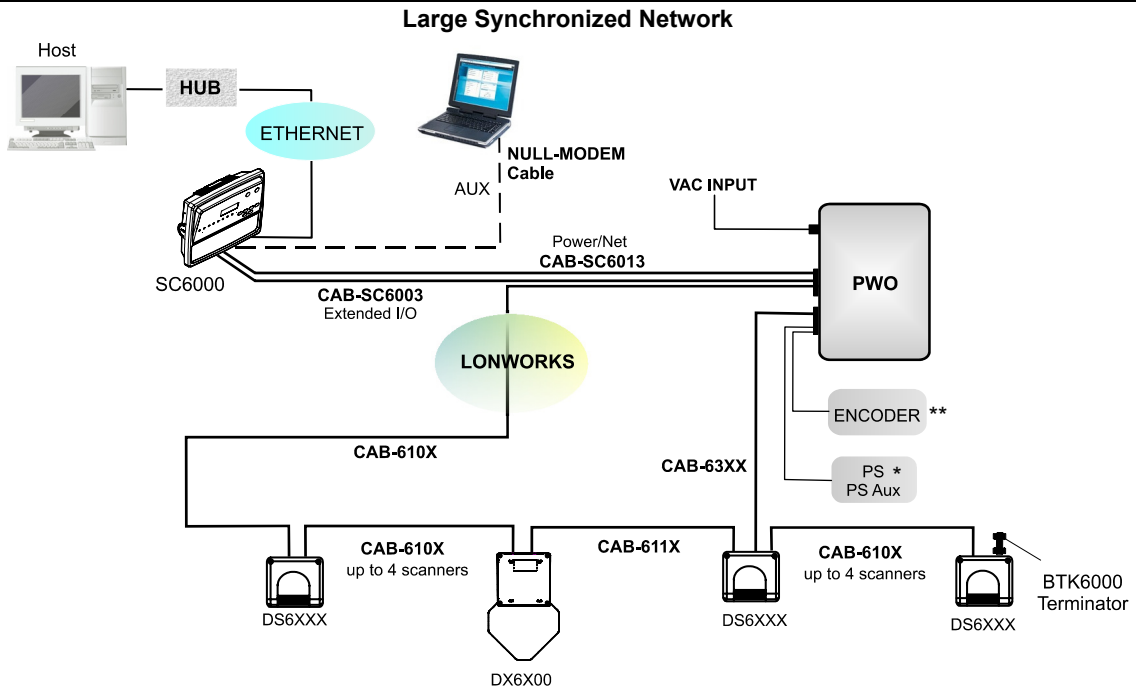
- * P.S. (Presence Sensor) connected to External Trigger/PS input.
- ** C-BOX 100 modified to accept scanner power.
- *** Encoder connected to IN2/ENC input.

Local Lonworks Network



Small Synchronized Network with more than 2 Readers and Single Power Unit

- * P.S. (Presence Sensor) connected to External Trigger/PS input.
- ** C-BOX 100 modified to accept scanner power.
- *** Encoder connected to IN2/ENC input.



- * P.S. (Presence Sensor) connected to External Trigger/PS input.
- ** Encoder connected to ENC input.

Large Synchronized Network with DX6400 and DS6XXX Scanners

DX6400-100-012 ETHERNET MODEL



Figure A

① Laser Beam Output Window



Figure B

- ① Programming Keypad
- ② TX Data LED (Green)
- ③ Phase On LED (Yellow)
- ④ Power On LED (R)
- ⑤ LCD Display

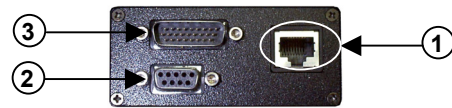


Figure C

- ① RJ45 Modular Connector for Ethernet Interface
- ② Lonworks 9-pin Female Connector
- ③ Main/Aux. Interface 26-pin D-Sub Male Connector

Available Models:

DX6400 - 100 - 0XX

Decoder Model
 10 = Master/Slave
 12 = Ethernet

Technical Features:

ELECTRICAL FEATURES		
Supply voltage	15 to 30 Vdc	
Power consumption	18 W typical 24 W Max. (including startup current)	
Communication Interfaces	Main (isolated)	
	RS232	1200 to 115200
	RS485 full-duplex	1200 to 115200
	RS485 half-duplex	1200 to 115200
	20 mA Current Loop (INT-30 with C-BOX 100 only)	19200
Auxiliary	RS232	1200 to 115200
	Other	
Lonworks	1.25 Mb/s	
Model-Dependent Communication Interfaces	Ethernet	10 or 100 Mb/s
Inputs External Trigger 1, 3 auxiliary digital inputs	(optocoupled NPN or PNP)	
Outputs 3 software programmable digital outputs	(optocoupled)	

OPTICAL FEATURES	
Light receiver	Avalanche photodiode
Wavelength	630 to 680 nm
Safety class	Class 2 - EN60825-1; Class II - CDRH
Light source	Up to 2 semiconductor laser diodes
Laser control	Security system to turn laser off in case of motor slow down
READING FEATURES	
Scan rate	up to 1500 scans/s (750 per leg)
Maximum resolution	(see reading diagram)
Max. reading distance	
Max. reading width	
Max. depth of field	
USER INTERFACE	
LCD Display	2 lines by 16 characters LCD
Keypad	3 keys
LED indicators	Power ON (red) Phase ON (yellow) TX data (green)
SOFTWARE FEATURES	
Readable Codes	Interleaved 2/5 Code 39 Standard Codabar Code 128 EAN128 Code 93 (standard and full ASCII) EAN/UPC EAN/UPC (including Add-on 2 and Add-on 5)
Code selection	Up to 10 codes during one reading phase
Headers and Terminators	Transmitted messages can be personalized using up to 128-byte headers and 128-byte terminators
Operating modes	On Line Automatic Test PackTrack
Configuration modes	Genius™ utility program
Parameter storage	Non-volatile internal FLASH
ENVIRONMENTAL FEATURES	
Operating temperature	0° to +40 °C (+32° to +104 °F)
Storage temperature	-20° to +70 °C (-4° to +158 °F)
Humidity	90% non condensing
Ambient light immunity	10000 lux
Vibration resistance	14 mm @ 2 to 10 Hz
IEC 68-2-6 test FC	1.5 mm @ 13 to 55 Hz
2 hours on each axis	2 g @ 70 to 200 Hz
Shock resistance	30 g; 11 ms
IEC 68-2-27 test EA	
3 shocks on each axis	
Protection class	IP50
PHYSICAL FEATURES	
Mechanical dimensions	225.9 x 149.8 x 116.8 mm (8.89 x 5.90 x 4.60 in)
Weight	2.1 kg. (4.62 lbs)

Accessories:

Name	Description	Part Number
BTK-6000	Bus terminator kit (5 pcs)	93ACC1710
CAB-6001	25-pin scanner to C-BOX100 cable 1 m	93A051190
CAB-6002	25-pin scanner to C-BOX100 cable 2 m	93A051200
CAB-6005	25-pin scanner to C-BOX100 cable 5 m	93A051210
CAB-6010	25-pin scanner to C-BOX100 cable 10 m	93A051271
CAB-6011	26-pin scanner to C-BOX100 cable 1 m (Ethernet version)	93A051221
CAB-6012	26-pin scanner to C-BOX100 cable 2 m (Ethernet version)	93A051222
CAB-6015	26-pin scanner to C-BOX100 cable 5 m (Ethernet version)	93A051223
CAB-6101	9-pin scanner/scanner connection cable 1 m	93A051220
CAB-6102	9-pin scanner/scanner connection cable 2 m	93A051230
CAB-6105	9-pin scanner/scanner connection cable 5 m	93A051240
CAB-6112	9-pin scanner to scanner no power cable 2 m	93A051224
CAB-6115	9-pin scanner to scanner no power cable 5 m	93A051225
CAB-6305	25-pin power cable Fam 6k 5 m	93ACC1768
CAB-6310	25-pin power cable Fam 6k 10 m	93ACC1752
CAB-6502	Fam 6K-8K cross cable 2.5 m	93A051288
CAB-6505	Fam 6K-8K cross cable 5 m	93A051289
C-BOX 100	Passive connection box	93ACC1510
C-BOX 300	Profibus-DP connection box	93A301000
C-BOX 310	Profibus-DP connection box with display	93A301030
C-BOX 400	Devicenet connection box	93A301010
C-BOX 410	Devicenet connection box with display	93A301040
FBK-6000	Fast bracket kit (2 pcs)	93ACC1721
INT-30	20 m.A. C.L. interface board for C-BOX 100	93A151022
PH-1	Photocell kit – PNP	93ACC1791
MEP-543	Photocell kit - NPN	93ACC1728
PG6002	Single unit power supply (US)	93ACC1718
PG6001	Single unit power supply (UK)	93ACC1719
PG6000	Single unit power supply (EU)	93ACC1720
PWR-120	J-box power unit 110/230 VAC 24 V 120 W	93ACC1530
PWR-240	J-box power unit 110/230 VAC 24 V 240 W	93ACC1070
PWR-480	J-box power unit 110/230 VAC 24 V 480 W	93ACC1080
OEK-2	Optical encoder (10 m cable + spring)	93ACC1770
OEK-1	Optical encoder kit + 10 m	93ACC1600

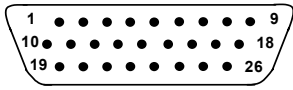
Electrical Connections:

The DX6400 Ethernet reader provides a 26-pin male D-sub connector for connection to power supply and input/output signals.

An Ethernet connector is used for connection to the remote Host (for ex. Remote PC connected via Internet), while a local Lonworks 9-pin female connector connects the Ethernet master to the first slave reader of the system.

The details of the connector pins are indicated in the following table:

26-pin D-Sub Connector Pinout				
Pin	Name	Function		
1	CHASSIS	Chassis - internally connected to GND Cable shield connected to chassis		
20	RXAUX	Receive data of auxiliary RS232 (referred to GND)		
21	TXAUX	Transmit data of auxiliary RS232 (referred to GND)		
8	OUT 1+	Configurable digital output 1 – positive pin		
22	OUT 1-	Configurable digital output 1 – negative pin		
11	OUT 2+	Configurable digital output 2 – positive pin		
12	OUT 2-	Configurable digital output 2 – negative pin		
16	OUT 3A	Configurable digital output 3 – polarity insensitive		
17	OUT 3B	Configurable digital output 3 – polarity insensitive		
18	EXT_TRIG/PS A	External trigger (polarity insensitive) for PS		
19	EXT_TRIG/PS B	External trigger (polarity insensitive) for PS		
6	IN2/ENC A	Input signal 2 (polarity insensitive) for Encoder		
10	IN2/ENC B	Input signal 2 (polarity insensitive) for Encoder		
14	IN3A	Input signal 3 (polarity insensitive)		
15	IN4A	Input signal 4 (polarity insensitive)		
24	IN_REF	Common reference of IN3 and IN4 (polarity insensitive)		
9, 13	VS	Supply voltage – positive pin		
23, 25, 26	GND	Supply voltage – negative pin		

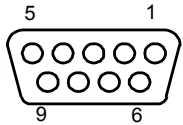


26-pin male D-sub Connector

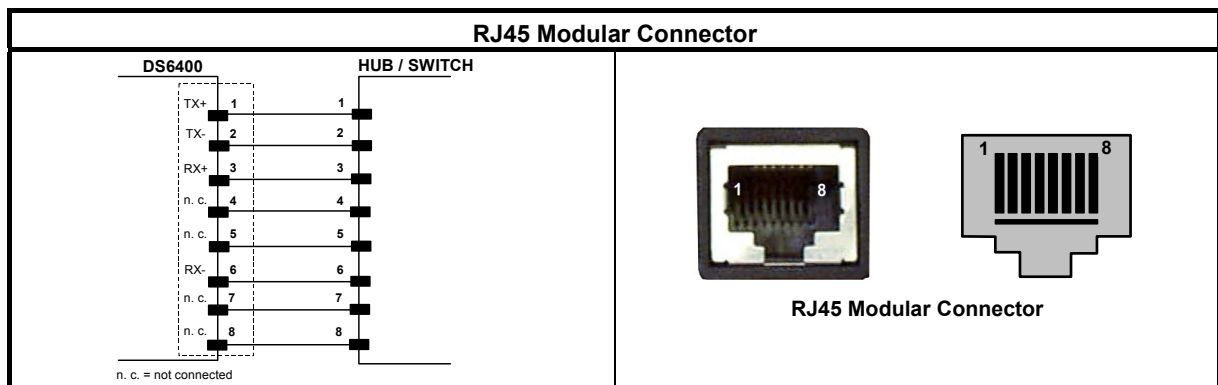
Pin	RS232	RS485 Full-Duplex	RS485 Half-Duplex	20 mA C.L. (INT-30 with C-BOX 100 only)
2	TX	TX485+	RTX485+	see INT-30 instructions
3	RX	* RX485+		
4	RTS	TX485-	RTX485-	
5	CTS	* RX485-		
7	GND_ISO	GND_ISO	GND_ISO	

* Do not leave floating, see Reference Manual for connection details.

9-pin Lonworks Connector Pinout		
Pin	Name	Function
1	CHASSIS	Cable shield internally connected by capacitor to chassis
9	VS	Supply voltage – positive pin
2	GND	Supply voltage – negative pin
6	VS_I/O	Supply voltage of I/O circuit
3	Ref_I/O	Reference voltage of I/O circuit
4	SYS_ENC_I/O	System signal
5	SYS_I/O	System signal
7	LON A	Lonworks line (polarity insensitive)
8	LON B	Lonworks line (polarity insensitive)

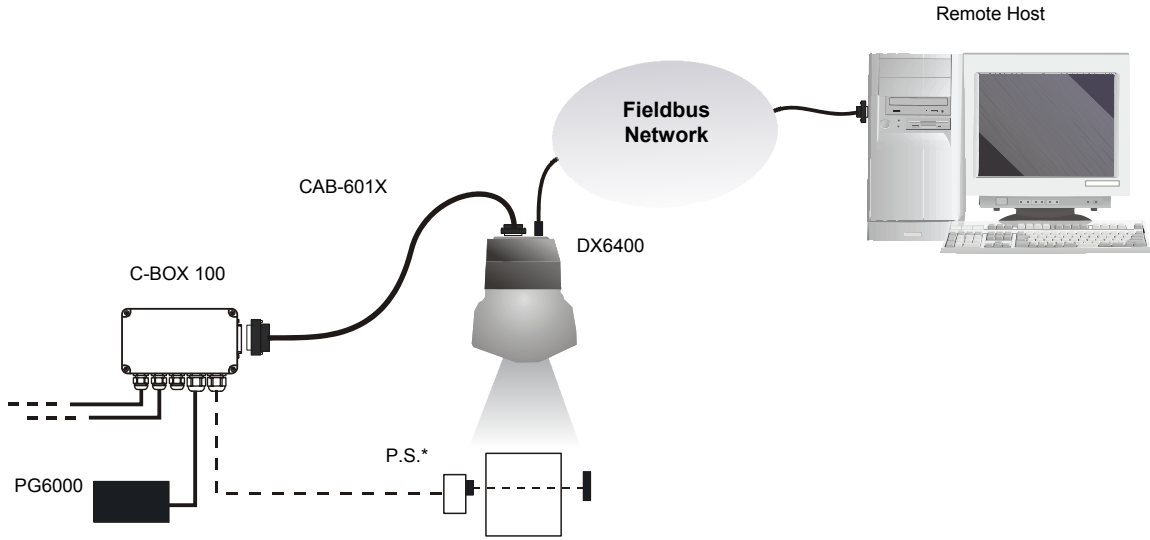


9-pin female Local Lonworks Connector



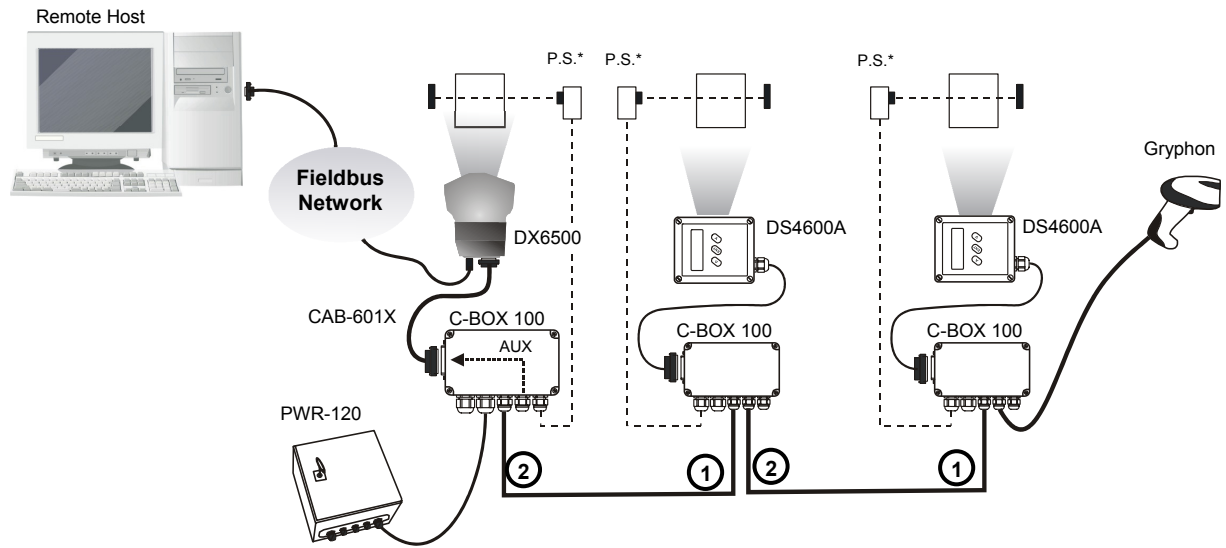
Connectivity:

Point-to-Point Layout



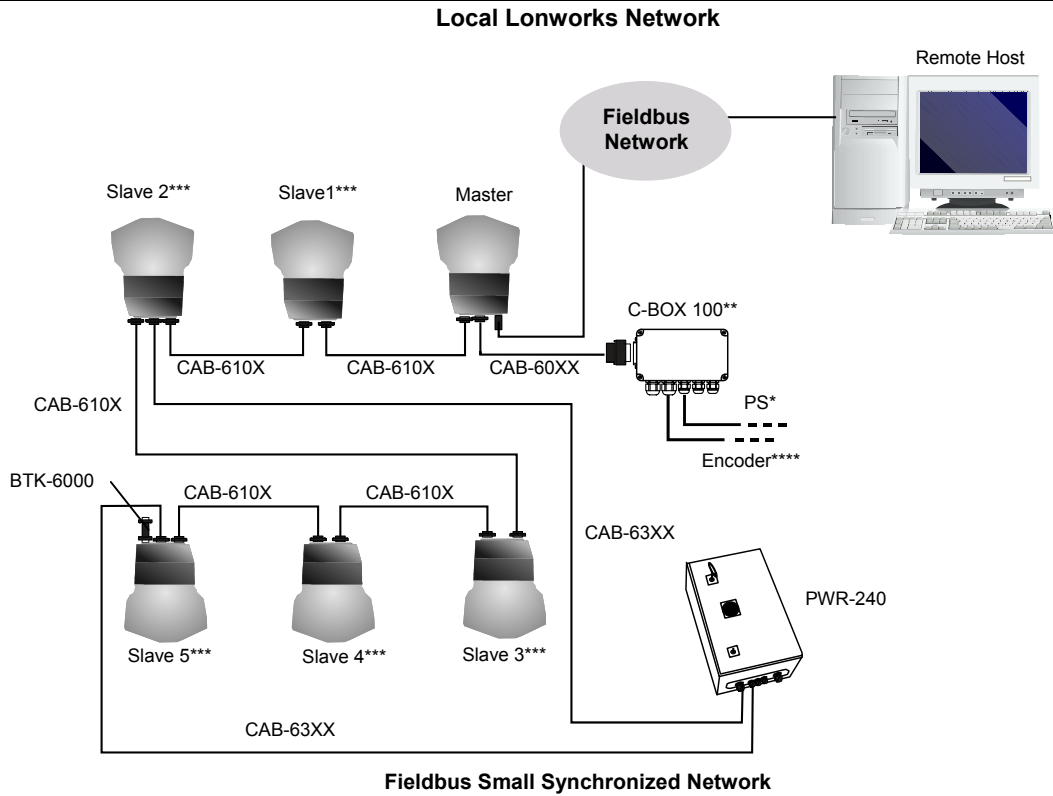
* P.S. (Presence Sensor) connected to External Trigger/PS input.

Pass Through Layout



① Main Serial Interface ② Auxiliary Serial Interface

* P.S. (Presence Sensor) connected to External Trigger/PS input.



- * P.S. (Presence Sensor) connected to External Trigger/PS input.
- ** C-BOX 100 modified to accept scanner power.
- *** The Slave scanners are Master/Slave models, which allow Lonworks network propagation.
- **** Encoder connected to IN2/ENC input.

COMMON FEATURES

C-BOX 100 Pinout for DX6400:

The table below gives the pinout of the C-BOX 100 terminal block connectors. Use this pinout when the DX6400 reader is connected in a network by means of the C-BOX 100:

C-BOX 100 Terminal Block Connectors				
Power				
1, 3, 5	VS			
2, 4, 6	GND			
7, 8	EARTH GROUND			
20, 40	Reserved			
Inputs				
27	EXT TRIG/PS A (polarity insensitive) for PS			
28	EXT TRIG/PS B (polarity insensitive) for PS			
29	IN 2/ENC A (polarity insensitive) for Encoder			
30	IN 2/ENC B (polarity insensitive) for Encoder			
31, 33	IN 3A (polarity insensitive)			
32, 34	IN 4A (polarity insensitive)			
36	IN 3B/IN 4B Reference (polarity insensitive)			
Outputs				
21	OUT 1+			
22	OUT 1-			
23	OUT 2+			
24	OUT 2-			
25	OUT 3A (polarity insensitive)			
26	OUT 3B (polarity insensitive)			
Auxiliary Interface				
35	TX AUX			
37	RX AUX			
38, 39	GND			
Main Interface				
	RS232	RS485 Full-Duplex	RS485 Half-Duplex	20 mA C.L. (with INT-30 only)
11, 15	TX232	TX485+	RTX485+	see INT-30 instructions
12, 16	RTS232	TX485-	RTX485-	
17	RX232	* RX485+		
18	CTS232	* RX485-		
10, 14, 19	SGND Main Isolated	SGND Main Isolated	SGND Main Isolated	
9, 13		RS485 Cable Shield	RS485 Cable Shield	

* Do not leave floating, see Reference Manual for connection details.

Mechanical Installation:

The DX6400 reader can be positioned and installed in the best way possible as a result of the Step-A-Head™ feature. Thanks to the separation between Head and Base, you can modify the orientation of the decoder base, and therefore display-keypad and connector panels, while keeping the optic head in the correct reading position. The reading head and the decoder base can be rotated independently from each other allowing the installation even in the most critical locations.

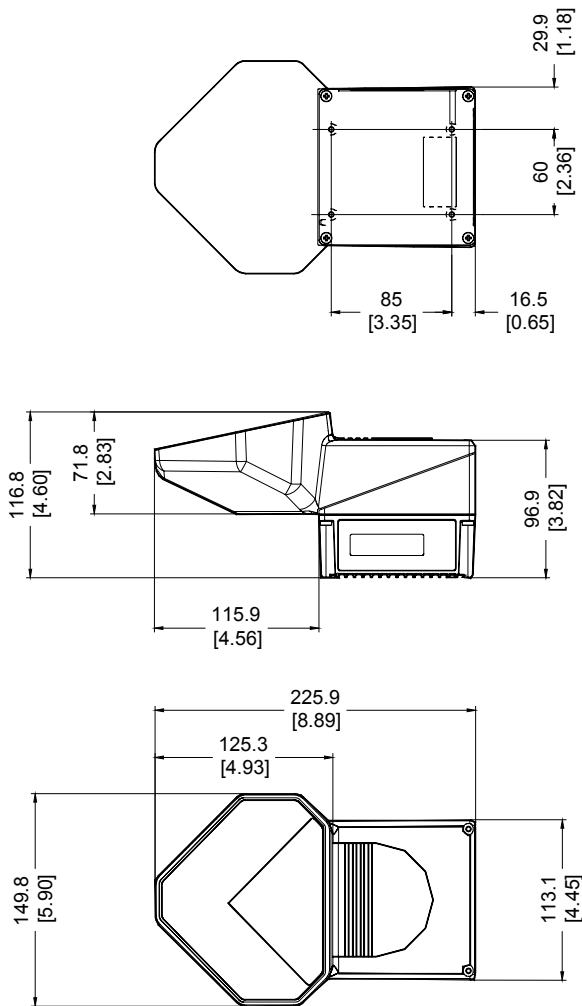
To rotate the head follow the given procedure:

1. detach the head from the base by unscrewing the four fixing screws;
2. rotate the head in the desired position;
3. loosen but don't remove the two screws on top of the head;
4. affix the head onto the base carefully aligning the four fixing screws and progressively tightening them about half-way;
5. completely tighten the two screws on top of the head;
6. completely tighten the four fixing screws.

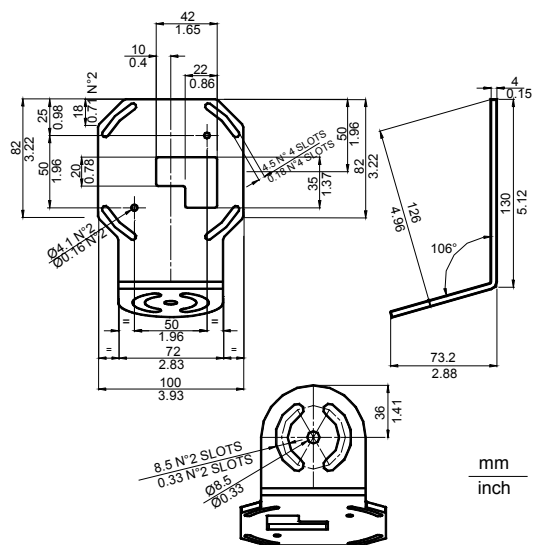


Step- A-Head™ Feature

The following diagrams give the overall dimensions of the reader standard model, oscillating mirror model and mounting bracket. They may be used for their installation:

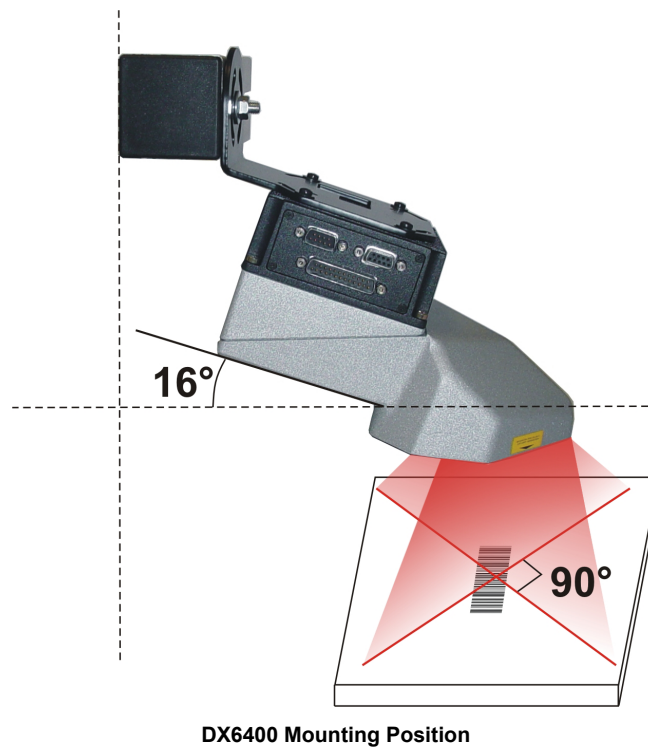



DX6400 Overall Dimensions



ST-237 Mounting Bracket Overall Dimensions

Mount the scanner using the ST-237 mounting bracket which assures an angle of 16°, as indicated in the figure below, in order to obtain an angle of 90° between the two scan lines. This guarantees an omni directional reading of the barcode, if the code label satisfies the ACR™ 4 conditions (see Scanner Reference Manual for details).



 WARNING	<p><i>When installing several scanners, take care to position them correctly so that no laser beam enters the reading window perpendicularly and at the same level of the output beam of the other scanners. This condition could occur more frequently for side mounted applications. If these precautions are not followed, it may occur that the laser of the blinded scanner starts blinking due to an internal circuit which temporarily turns the laser off when detecting a power anomaly. To resolve this problem, it is sufficient to slightly change the inclination and position of one of the two scanners involved.</i></p>
---	--

FLASH™ Dynamic Focus:

The DX6400 has an innovative linear motor designed to control the focus position of the scanner via software. This dynamic system, called FLASH™, is able to move the focus position rail to rail, from the minimum position to the maximum position.

The FLASH™ functionalities (i.e. the driving modes of the linear motor) are programmed via the Genius™ software tool and can operate in the following modes:

- Fixed mode: the focus is set to the desired position via software (expressed in cm);
- Continuous mode: the focus position is continuously running from a minimum position to a maximum position with a defined frequency;
- Triggered mode: the focus position can be set depending on the received external input (photocell, barrier, serial message, etc.);
- D-Flash™ mode: the focus position can be set depending on the measured distance between the scanner and the scanned object. This is the most innovative and flexible function that makes different software implementations possible. The D-Flash™ development has been based on the minimum distance detected. Thus, it can apply to the widest variety of applications. Further developments of D-Flash™ will be provided according to the specific application needs.

Reading Conditions:

- ANSI Grade B minimum
- 600 scans/sec per leg

The following tables describe the requirements for standard applications.

Minimum Code Height for Omnidirectional Reading (mm)							
Conveyor Speed (m/s)		0.5	1	1.5	2	2.5	3
2/5 Inteleaved Code Resolution (mm)	0.38	14	16	18	20	22	24
	0.50	18	19	21	23	25	27
	0.60	21	22	24	26	28	30
	1.00	34	35	36	37	39	41

Table 1

Minimum Code Height for Omnidirectional Reading (mm)							
Conveyor Speed (m/s)		0.5	1	1.5	2	2.5	3
Code 39 Code Resolution (mm)	0.38	12	13	15	17	19	21
	0.50	15	16	17	19	21	24
	0.60	18	19	20	21	23	26
	1.00	28	29	30	31	32	34

Table 2

Minimum Code Height for Omnidirectional Reading (mm)							
Conveyor Speed (m/s)		0.5	1	1.5	2	2.5	3
Code 128 – Ean 128 Code Resolution (mm)	0.38	10	12	14	16	18	20
	0.50	12	13	16	18	20	22
	0.60	14	15	17	19	21	24
	1.00	22	23	24	26	28	30

Table 3

Minimum Code Height for Omnidirectional Reading (mm)							
Conveyor Speed (m/s)		0.5	1	1.5	2	2.5	3
Codabar Code Resolution (mm)	0.38	16	18	20	22	24	26
	0.50	20	22	24	26	28	30
	0.60	23	25	27	29	31	34
	1.00	36	38	40	42	44	47

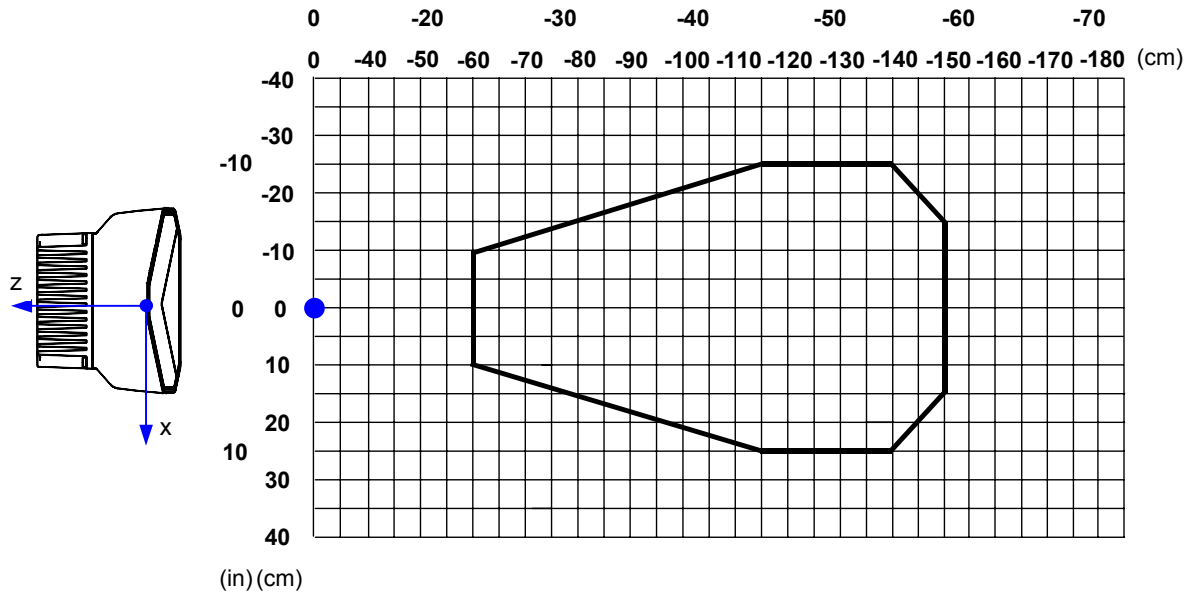
Table 4

Minimum Code Height for Omnidirectional Reading (mm)							
Conveyor Speed (m/s)		0.5	1	1.5	2	2.5	3
EAN 8-13, UPC-A Code Resolution (mm)	0.38	11	12	13	15	17	19
	0.50	13	14	15	16	18	20
	0.60	15	16	17	18	19	22
	1.00	24	25	26	27	28	29

Table 5

Reading Diagrams:

DX6400-100-0XX – Resolution: 0.38 mm/15 mils

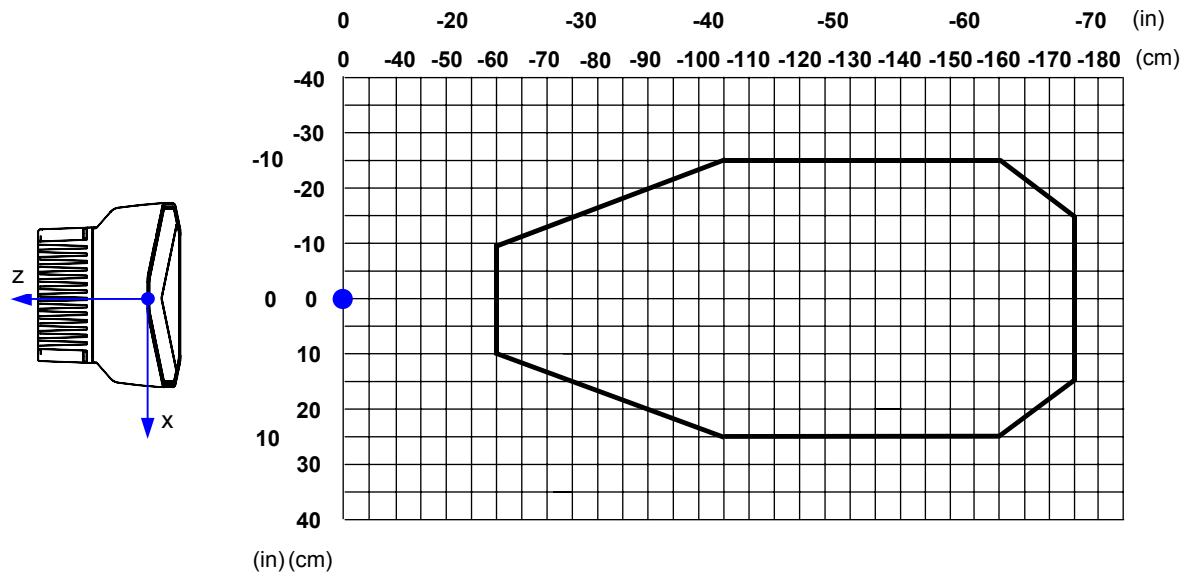


Note: $x = 0$ and $z = 0$ correspond to the edge of the DX6400 scanner as shown in the figure above.

CONDITIONS

Code = Interleaved 2/5 or Code 39
 PCS = 0.90

DX6400-100-0XX – Resolution: 0.50 mm/20 mils



Note: $x = 0$ and $z = 0$ correspond to the edge of the DX6400 scanner as shown in the figure above.

CONDITIONS

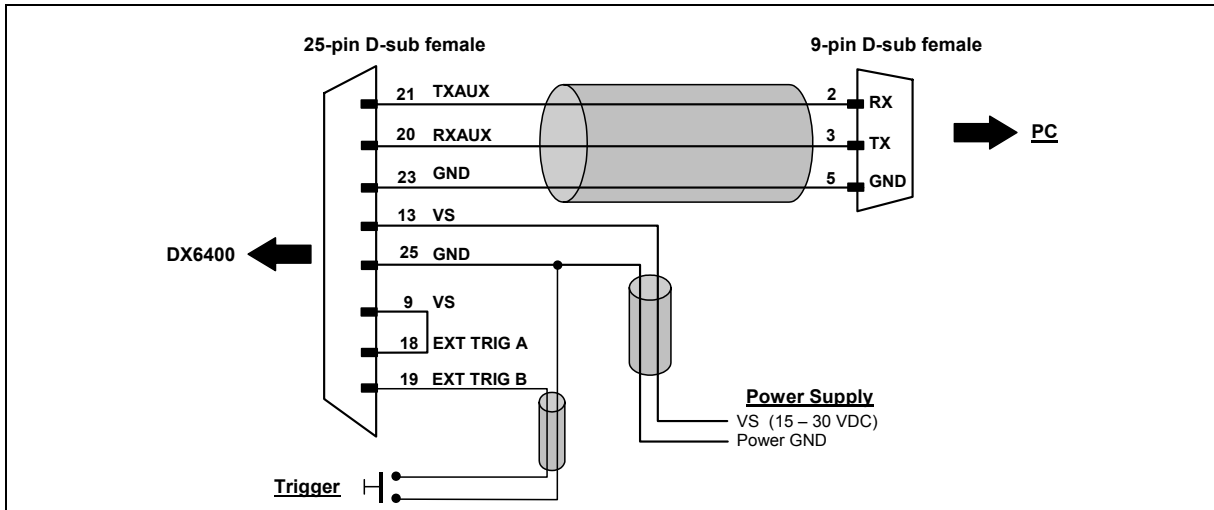
Code = Interleaved 2/5 or Code 39
 PCS = 0.90

User Interface:

RS232 PC-side connections			
<p>9-pin male connector</p>		<p>25-pin male connector</p>	
Pin	Name	Pin	Name
2	RX	3	RX
3	TX	2	TX
5	GND	7	GND
7	RTS	4	RTS
8	CTS	5	CTS

How To Build A Simple Interface Test Cable:

The following wiring diagram shows a simple test cable including power, external (push-button) trigger and PC RS232 COM port connections.



Compliance:

Laser Safety



Figure A
 ① Laser Safety Label
 ② Identification Label



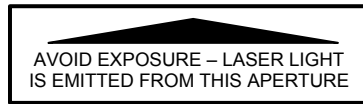
Figure B
 ① Warning and Device Class Label

The scanner is classified as a Class 2 laser product according to EN 60825-1 regulations and as a Class II laser product according to CDRH regulations.

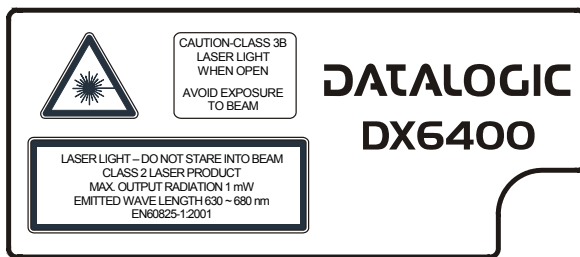
Disconnect the power supply when opening the device during maintenance or installation to avoid exposure to hazardous laser light.

There is a safety device which allows the laser to be switched on only if the motor is rotating above the threshold for its correct scanning speed.

The laser beam can be switched off through a software command (see also the Genius™ Help On-Line).



Laser Safety Label



Warning and Device Class Label



Device Identification Label

The laser diode used in this device is classified as a Class 3B laser product according to EN 60825-1 regulations and as a Class IIIb laser product according to CDRH regulations. Any violation of the optic parts in particular can cause radiation up to the maximum level of the laser diode (35 mW at 630 ~ 680 nm).

Power Supply

- **This product is intended to be installed by Qualified Personnel only.**
- **All DX6400 Models:**
This device is intended to be supplied by a UL Listed Power Unit marked “Class 2” or LPS power source which supplies power directly to the scanner via the 25/26-pin connector.

CE Compliance

Warning:

This is a Class A product. In a domestic environment this product may cause radio interference in which case the user may be required to take adequate measures.

Patents

This product is covered by one or more of the following patents:

U.S. patents: 5,483,051; Re. 36,251; 6,049,406; 5,992,740; 6,347,740B1; 6,629,639B2; 6,394,352B1; 6,742,710B2; 7,161,685B1; 6,688,524B1; 6,443,360 B1; 7,195,162B2.

European patents: 652,530B1; 786,734B1; 789,315B1; 851,376B1; 1,363,228B1; 959,426B9; 1,300,798B1.

Additional patents pending.

Datalogic Automation S.r.l.
Via S. Vitalino 13
40012 - Lippo di Calderara
Bologna - Italy

dichiara che
 declares that the
 déclare que le
 bescheinigt, daß das Gerät
 declare que el

DX6400-XXX-XXX, Laser Scanner; e tutti i suoi modelli
 and all its models
 et tous ses modèles
 und seine Modelle
 y todos sus modelos

sono conformi alle Direttive del Consiglio Europeo sottoelencate:
 are in conformity with the requirements of the European Council Directives listed below:
 sont conformes aux spécifications des Directives de l'Union Européenne ci-dessous:
 der nachstehend angeführten Direktiven des Europäischen Rats:
 cumple con los requisitos de las Directivas del Consejo Europeo, según la lista siguiente:

89/336/EEC EMC Directive	e	92/31/EEC, 93/68/EEC	emendamenti successivi
	and		further amendments
	et		ses successifs amendements
	und		späteren Abänderungen
	y		sucesivas enmiendas

2006/95/EC Low Voltage Directive

Basate sulle legislazioni degli Stati membri in relazione alla compatibilità elettromagnetica ed alla sicurezza dei prodotti.
 On the approximation of the laws of Member States relating to electromagnetic compatibility and product safety.
 Basée sur la législation des Etats membres relative à la compatibilité électromagnétique et à la sécurité des produits.
 Über die Annäherung der Gesetze der Mitgliedsstaaten in bezug auf elektromagnetische Verträglichkeit und Produktsicherheit entsprechen.
 Basado en la aproximación de las leyes de los Países Miembros respecto a la compatibilidad electromagnética y las Medidas de seguridad relativas al producto.

Questa dichiarazione è basata sulla conformità dei prodotti alle norme seguenti:
 This declaration is based upon compliance of the products to the following standards:
 Cette déclaration repose sur la conformité des produits aux normes suivantes:
 Diese Erklärung basiert darauf, daß das Produkt den folgenden Normen entspricht:
 Esta declaración se basa en el cumplimiento de los productos con las siguientes normas:

EN 55022 (Class A ITE), August 1994: Amendment A1 (Class A ITE), October 2000:	LIMITS AND METHODS OF MEASUREMENTS OF RADIO DISTURBANCE CHARACTERISTICS OF INFORMATION TECHNOLOGY EQUIPMENT
EN 61000-6-2, October 2001:	ELECTROMAGNETIC COMPATIBILITY (EMC) PART 6-2: GENERIC STANDARDS - IMMUNITY FOR INDUSTRIAL ENVIRONMENTS
EN 60950-1, December 2001:	INFORMATION TECHNOLOGY EQUIPMENT – SAFETY – PART 1: GENERAL REQUIREMENTS
EN 60825-1, June 1994: Amendments A11 (1996), A2 (2001):	SAFETY OF LASER PRODUCTS – PART 1: EQUIPMENT CLASSIFICATION, REQUIREMENTS AND USER'S GUIDE

Lippo di Calderara, April 2nd, 2007

Lorenzo Girotti
 Product & Process Quality Manager

