

# High Temperature UHF Tag

## UHF525HT

### FEATURES

Read Range of up to 4 feet using UHF-UN1 Antenna

For severe industrial environments including paint ovens

High temperature survivability up to 204°C

Complies with ISO18000-6B Protocol

Includes mounting brackets for easy installation

### FOR USE WITH

UHF-UN1



The UHF525HT is a rugged high-temperature long-range Ultra High Frequency (902-928 MHz) tag designed for operation with the UHF-UN1 controller/antenna from Escort Memory Systems. This tag features a range of up to four feet when mounted to metal carriers and interrogated by the UHF-UN1 reader. Ideally suited for Body & Assembly and Paint Shop applications in the automotive industry, the UHF525HT is the only high-temperature tag in the market that survives up to 204° C or 400° F. The tag complies with the international standard ISO18000-6B and can be used anywhere in the world where UHF can be used. Escort Memory Systems patented technology allows the tag to maintain a small form factor in an industrial strength package.

The UHF525HT is ideal for applications that involve data tracking in high-temperature environments up to 204° C or 400° F. The tag is typically attached to containers, carriers or assets that repeatedly get exposed to high-temperatures during the manufacturing process.

### SPECIFICATIONS

*Operating Temperature*  
-40° to 93°C (-40° to 200°F)

*Storage Temperature*  
-40° to 204°C (-40° to 400°F)

*Vibration Resistance*  
IEC 68-2-6 Test FC 1.5mm,  
10-55Hz, 2 hours each axis

*Shock Resistance*  
IEC 68-2-27 test EA 30 G,  
11ms, 3 shocks each axis

*IP Rating*  
IP68

*Weight*  
95 grams (3.3 oz.)

*Memory*  
2048 Bits/256 Bytes

*Protocol*  
ISO18000-6B



# High Temperature UHF Tag

## UHF525HT

### HIGH TEMP APPLICATIONS

Material Handling

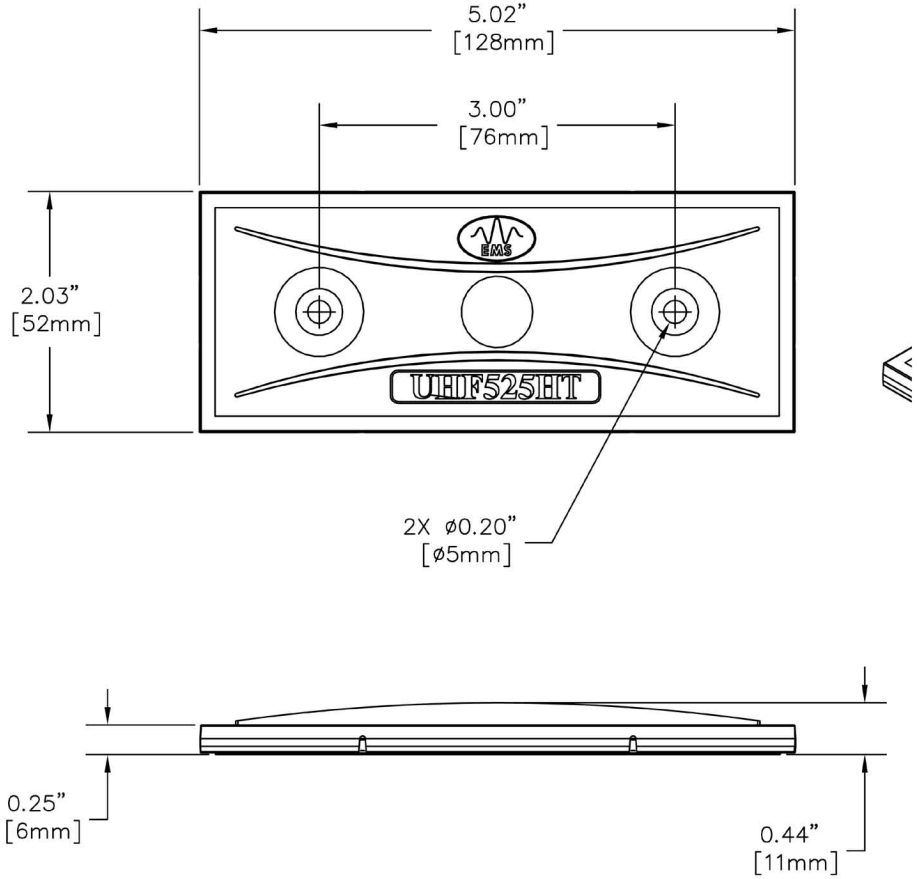
Asset Tracking

WIP Tracking

Process Control

Container Tracking

### TECHNICAL DRAWINGS



### MOUNTING BRACKETS

